



## CE 1052 P.

Electric cooker, 5 electric hotplates,  
2 electric ovens.



- Body and front in stainless steel.
- Stainless steel legs with adjustable feet. Height: 150/175 mm.
- Total power: 14.6 kW.
- Electrical supply: three-phase 400 V + N + E.
- 400 V without N phase for additional cost.

### Hob

- Dimensions: 1000 x 650 mm.
- 2 x 1.5 kW hotplates, 1 Ø 145 mm - 1 Ø 180 mm.
- 2 x 2 kW hotplates, 1 Ø 180 mm - 1 Ø 220 mm.
- 1 x 2.6 kW hotplate, Ø 220 mm.

### Oven

- Interior dimensions: W 400 - D 455 - H 305 mm.
- Power of heating elements:  
Base + periphery roof: element: 2.5 kW - Grill: 2.4 kW.
- Thermostat.
- Standard equipment: 1 oven rack, 1 enamelled roasting dish.

**CE 1052 P**

W 1000 - D 650 - H 900

### Variations:

**OVEN (instead of static electric oven)**

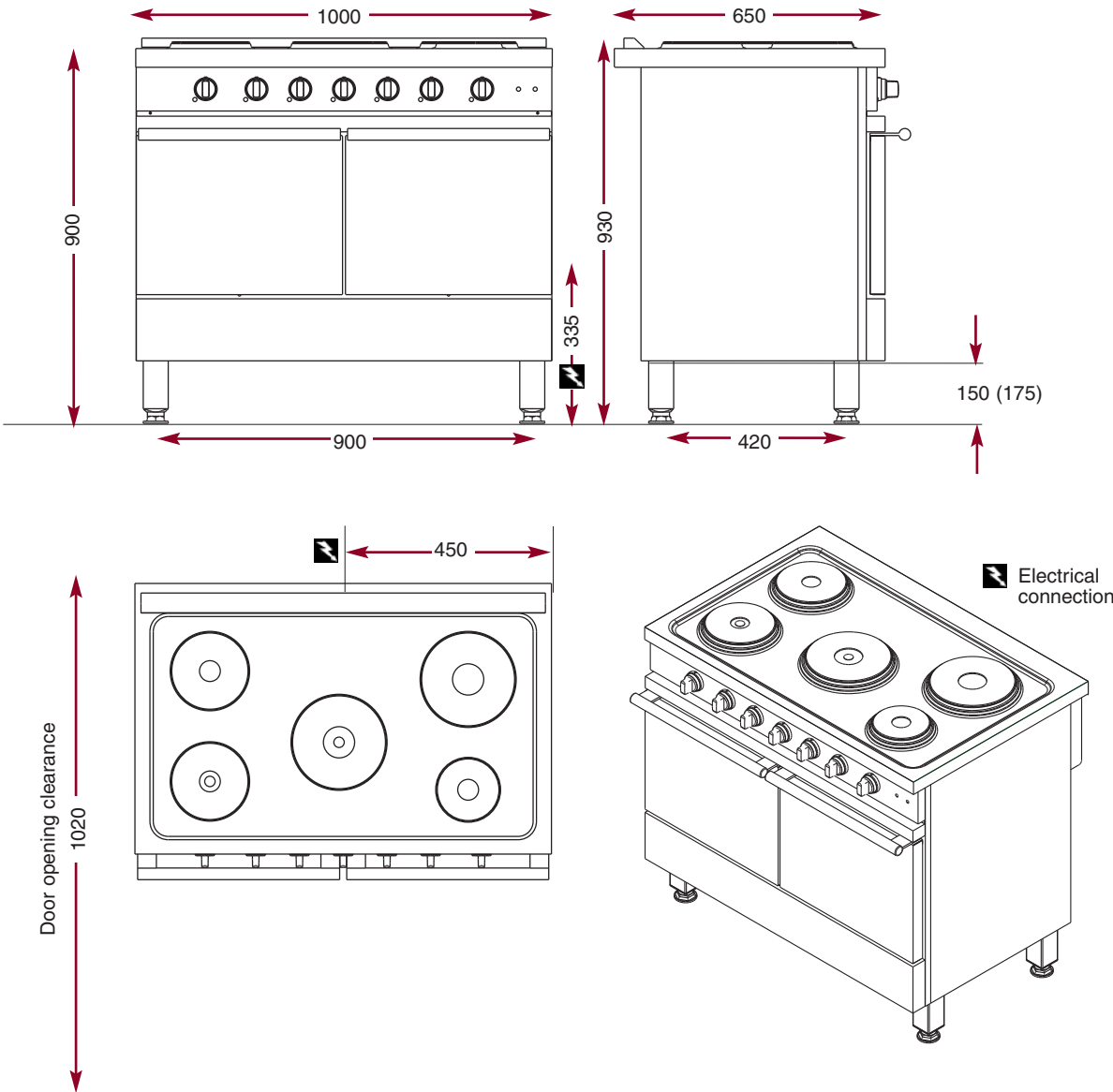
**SFCT 001** 1 convection oven (2.65kW)\*

**SGE 001** Electric grill (in convection oven)

\* Electrical supply: 400V + N + E only.

# 5 electric hotplates, 2 electric ovens.

# CE 1052 P



*The Chef's Choice.*

N° 18 - 2